

Full height Polar 100 incorporating glazing with solid elements and full height PSQ4 Polar 100 doorframe containing a full height door with vision panels

POLAR 100



Polar partitioning product comparison chart can be found on the inside back cover of this brochure











sleek

Full height Polar 100
solid panels integrating
with double glazed Polar

POLAR 100

Polar 100 is a seamless (taped and filled or skimmed) solid partition and frameless glazed dry or silicon vertical jointed system

Technical spec at a glance

-  **DIMENSIONS:**
Up to 3000mm high
-  **FIRE RATINGS:**
Contact our technical department
-  **ACOUSTICS:**
Solid - up to 50dB (Rw)
Double Glazed - up to 48dB (Rw)
-  **STRUCTURE:**
Up to severe duty
-  **DEFLECTION HEAD (+/-):**
YES
-  **WEIGHT Per m² (kg):**
Solid up to 46.08
Glazed up to 53.85
-  **BLINDS:**
Yes - integral
-  **MANIFESTATION:**
Yes

Detailed Polar 100 drawings can be found on pages 62-63. In addition a partitioning product comparison chart can be found on the inside back cover of this brochure.

For further technical specifications and technical drawing downloads go to - www.komfort.com

Full height double glazed Polar 100 with dado height solid sections and PSQ4 doorframe



Ingenious and versatile, this sought after system combines single glazed, double glazed and solid elements to accommodate full integration and produce a streamlined effect.

POLAR 100



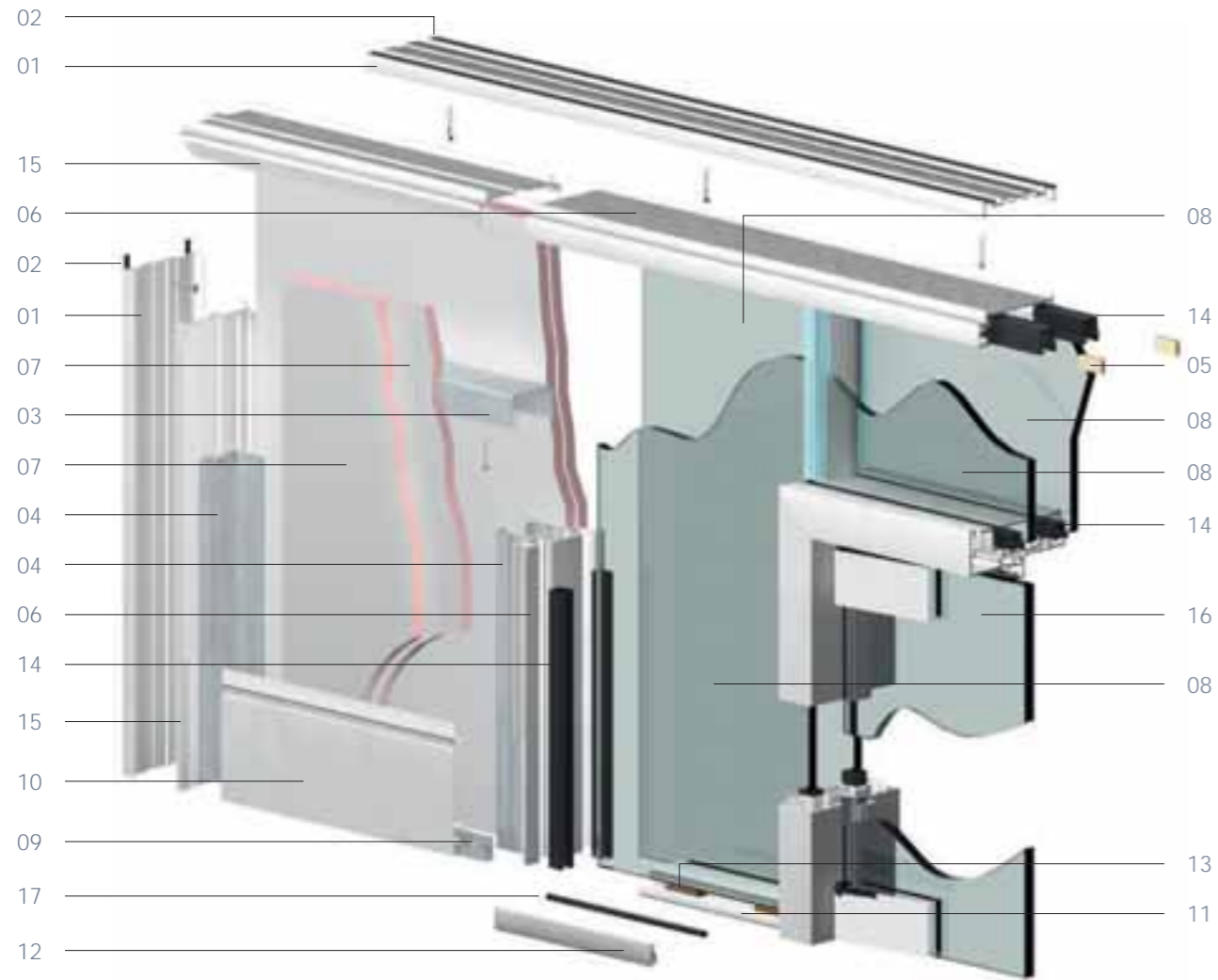
Polar 100 PSQ4 doorframe containing glass door



Full height Polar 100 partitioning with solid and glazed elements

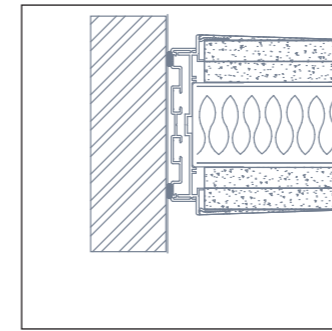


Single glazed Polar partitioning incorporating Polar 100 PSQ4 doorframes and glass doors

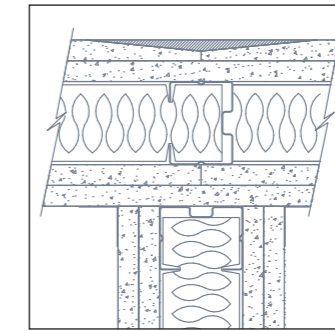


Polar 100 - double glazed partitioning system designed to integrate with solid sections

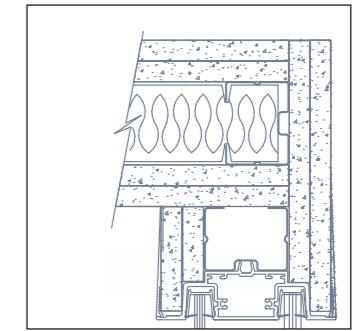
- | | | |
|----------------------------|-----------------------------------|--|
| 01 Head / abutment channel | 08 10/12mm toughened safety glass | 14 PVCu glazing channel |
| 02 Head channel seal | 09 Skirting clip | 15 Plaster edge channel |
| 03 Steel head / base track | 10 100mm skirting | 16 10/12mm toughened safety glass door |
| 04 Steel vertical stud | 11 Base channel | 17 Glazing bead |
| 05 Straight jointing cleat | 12 Base channel leg | |
| 06 Glazing channel | 13 Glass packer | |
| 07 12.5mm plasterboard | | |



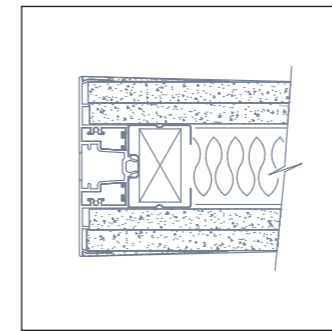
Solid abutment



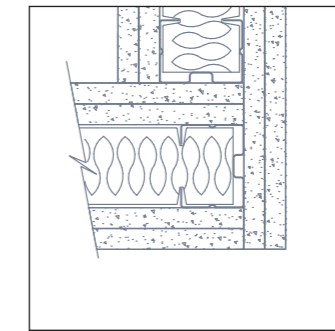
3 way solid junction



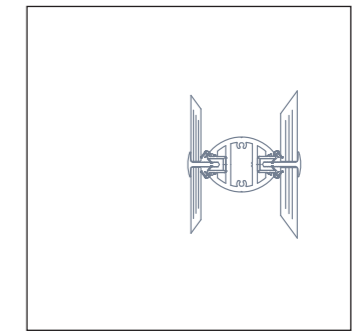
90° solid to glazed junction



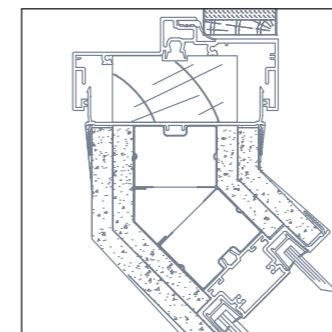
Solid fair end



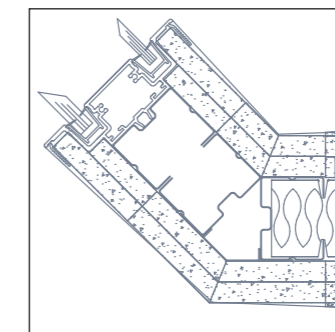
90° solid to solid junction



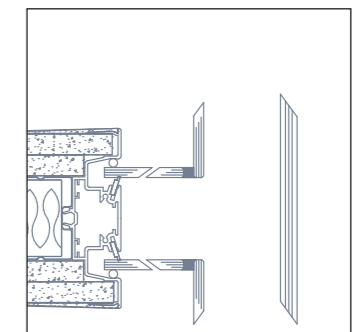
Glazed to glazed junction



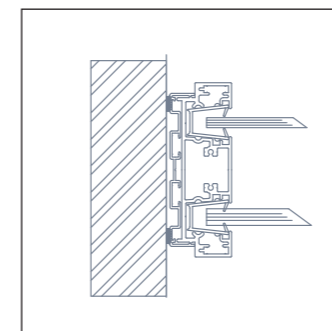
135° glazed to doorset junction



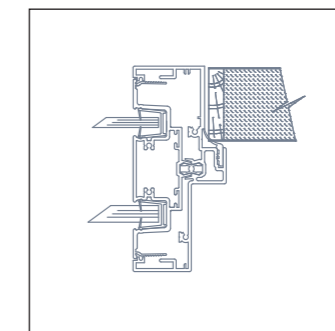
135° solid to glazed junction



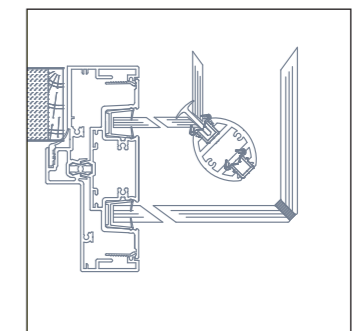
3 way glazed to solid to glazed junction



Glazed abutment



Glazed to doorset junction



90° glazed to doorset junction

